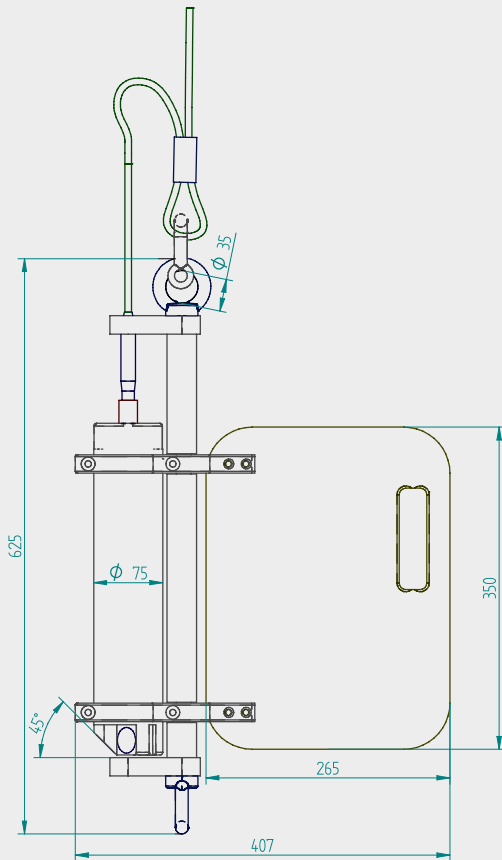


The Aquadopp explorer

AQUADOPP EXPLORER

Nortek's Aquadopp Explorer is a "ready-for-action" mobile system designed to carry out primary current measurements under practically any circumstances, anywhere and by any operator. Its Doppler technology offers significant advantages: It requires no calibration and needs little maintenance. It performs trouble-free remote current measurements without the use of any moving parts that can be blocked or damaged. The Aquadopp Explorer is compact and can be shipped with an express courier postal service.

TECHNICAL DRAWING



The aquadopp explorer system

AQUADOPP EXPLORER



Aquadopp



Control box



Cable reel

TECHNICAL SPECIFICATIONS

Velocity measurement

Velocity range:	±5m/s
Cell size:	0.75 m
Measurement cell position:	0.35-5.0 m (user selectable)
Maximum sampling rate:	1Hz
Typical uncertainty for default configurations:	0.5-1.0 cm/s
Acoustic frequency:	2MHz

Sensors

Temperature:	Thermistor embedded in head
Compass:	Magnetometer
Tilt:	Liquid level
Pressure:	Piezoresistive

Analog Inputs

Number of channels:	2
---------------------	---

Data communication

I/O:	RS232
------	-------

Materials

Standard:	Delrin with titanium bolts
-----------	----------------------------

Connector

Bulkhead (Impulse):	MCBH-8-FS
---------------------	-----------

Environmental

Operating temperature:	-5°C to 40°C
Storage temperature:	-20°C to 60°C
Shock and vibration:	IEC 721-3-2
Pressure rating:	300 m

Control unit

Display dimensions:	3.5 Inch, 320x240 pixels
Main screen:	Display of current, direction & depth
Battery:	95 Wh, with status display
Battery duration:	20h continuous measurements (control unit + Aquadopp)
Data storage:	1Gb standard
IP Class:	IP67
Weight:	4.5 kg
Dimensions:	305 x 270 x 194 mm

Cable reel

Reel:	Slipring, 4-datalines, 2-powerlines
Weight:	6.8 kg
Dimensions:	265 x 220 x 365 mm
Cable type:	PUR, Kevlar enforced
Cable length:	50 m
Cable breaking strength:	200 kg

Transport case

Dimensions:	95 x 41 x 47 cm
Total weight:	31 kg

TRUE INNOVATION MAKES A DIFFERENCE



Nortek AS
Vangkroken 2
1351 Rud, Norway
Tel: +47 6717 4500
Fax: +47 6713 6770
inquiry@nortek.no